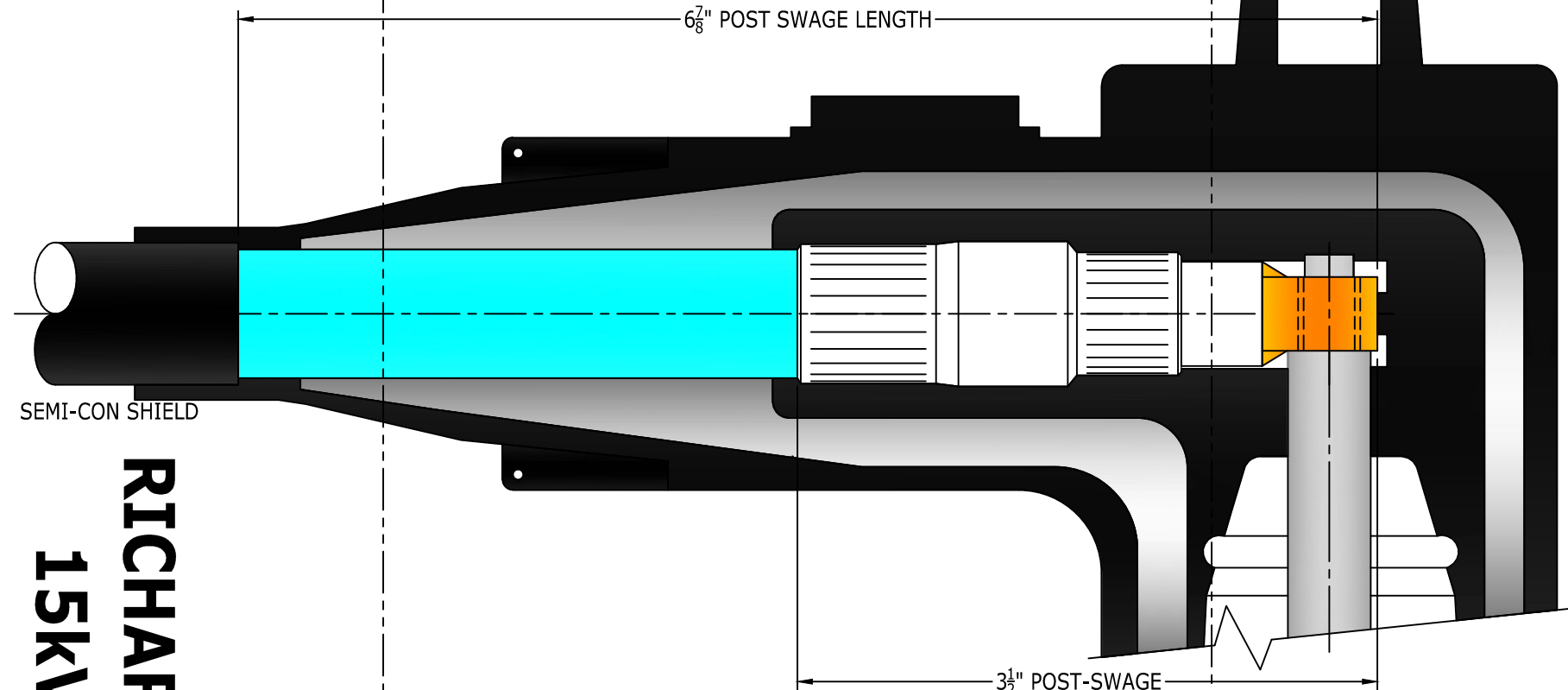


TOOL STOP POSITION TEMPLATE



SEMI-CON SHIELD

15KV
RICHARDS

5" TOOL STOP

6⁷/₈" POST SWAGE LENGTH

SEMI-CON SHIELD

6⁵/₈" PRE-SWAGE

5⁵/₈"

TOOL STOP
1-2, 2-2, 3-2, 4-2, 5-2, 5-3, 6-2 or 6-3
PRE-SWAGE INJECTION ADAPTER (IA)

3¹/₂" POST-SWAGE

1³/₈"

INSULATION RANGE:
21LBN1A or 21LBT1A 0.635-0.740
21LBN1B or 21LBT1B 0.655-0.905
21LBN1C or 21LBT1C 0.850-1.060
21LBN1D or 21LBT1D 0.950-1.060

COMPRESSION CONNECTOR
#2, #1, 1/0, 2/0, 3/0 or 4/0

The final length should be within
1/8" (3mm) of the given
Post-Swage length.

INSULATION CUT BACK TEMPLATE

© www.novinium.com/patents.aspx
IA is protected by patents and patents pending
Novinium is a registered trademark of Novinium, Inc.
(Printing instructions: For best results, print in color,
protect w/5 MIL laminate and trim to size.)
SCALE: 1:1
8.5 x 11 paper size



novinium
masters of reliability



RCH-15 21LBNorT1AorBorCorD 2to4o 1to6-2or3 16may13