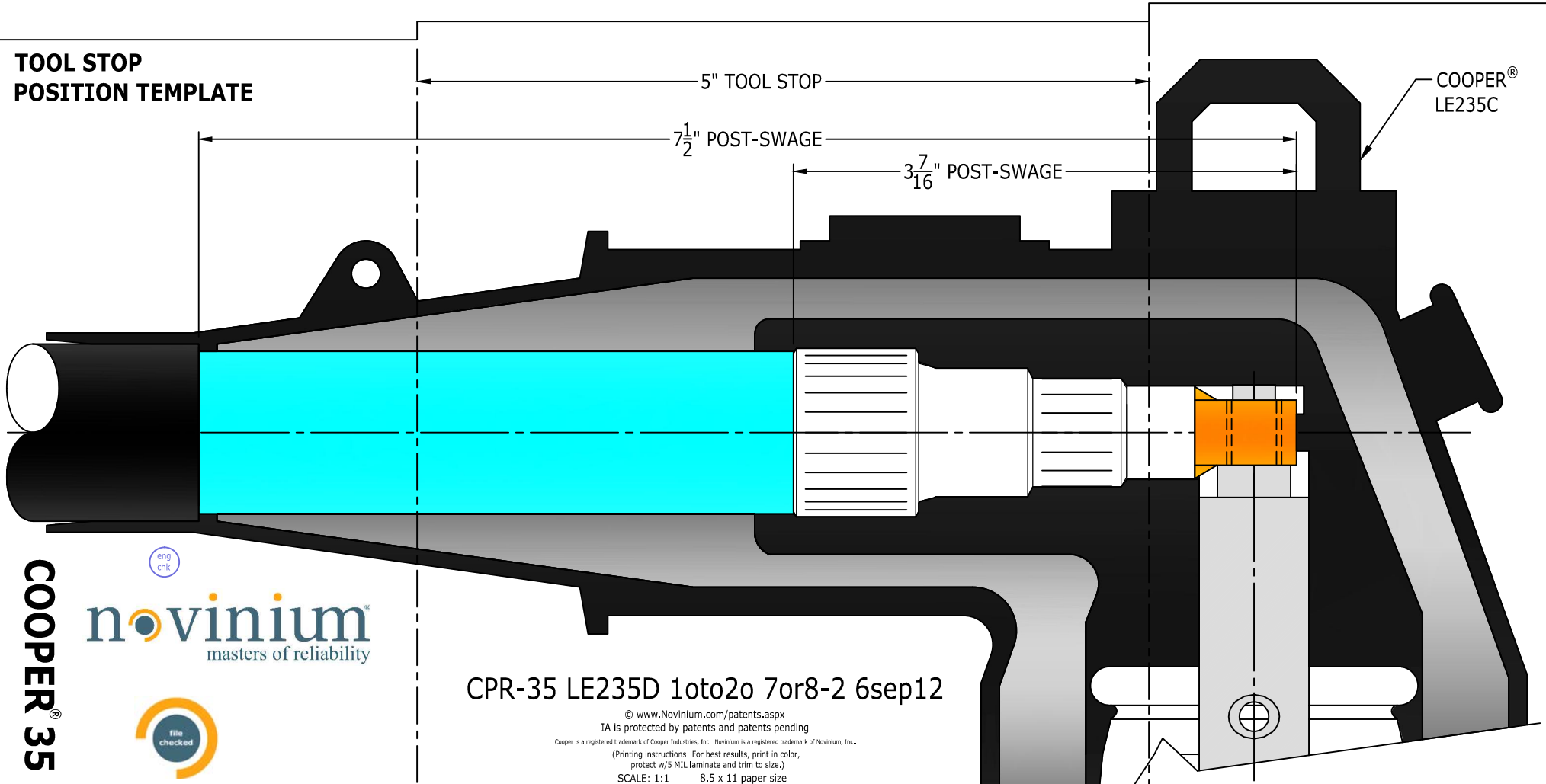


**TOOL STOP
POSITION TEMPLATE**



COOPER®
LE235C

5" TOOL STOP

7 1/2" POST-SWAGE

3 7/16" POST-SWAGE

COOPER® 35 KV

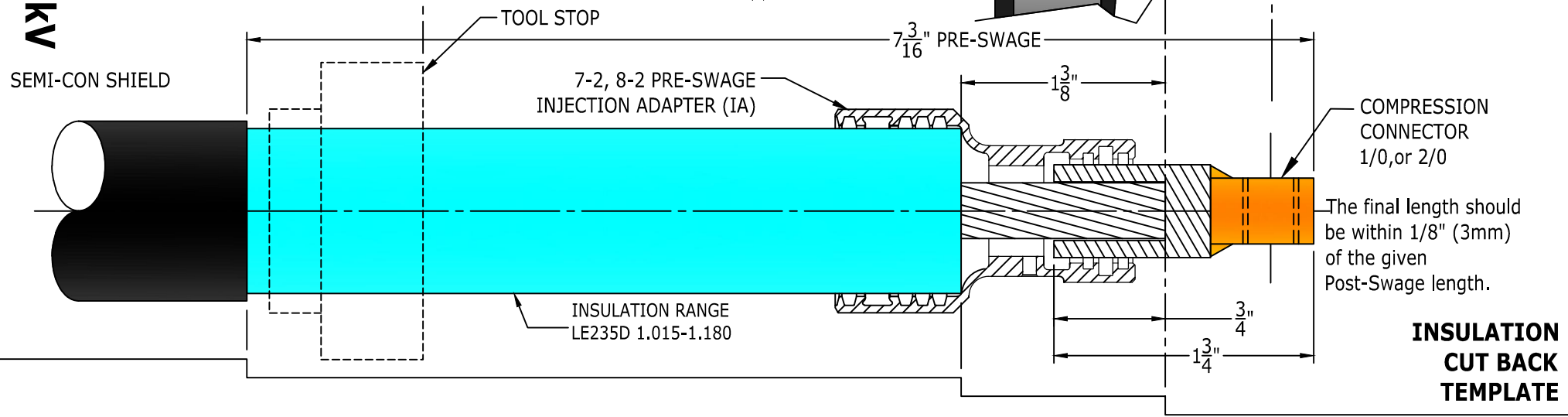
eng
chk
novinium
masters of reliability



CPR-35 LE235D 1oto2o 7or8-2 6sep12

© www.Novinium.com/patents.aspx
IA is protected by patents and patents pending
Cooper is a registered trademark of Cooper Industries, Inc. Novinium is a registered trademark of Novinium, Inc.
(Printing instructions: For best results, print in color, protect w/5 MIL laminate and trim to size.)
SCALE: 1:1 8.5 x 11 paper size

SEMI-CON SHIELD



TOOL STOP

7 3/16" PRE-SWAGE

7-2, 8-2 PRE-SWAGE
INJECTION ADAPTER (IA)

1 3/8"

COMPRESSION
CONNECTOR
1/0, or 2/0

The final length should
be within 1/8" (3mm)
of the given
Post-Swage length.

INSULATION RANGE
LE235D 1.015-1.180

3/4"

1 3/4"

**INSULATION
CUT BACK
TEMPLATE**