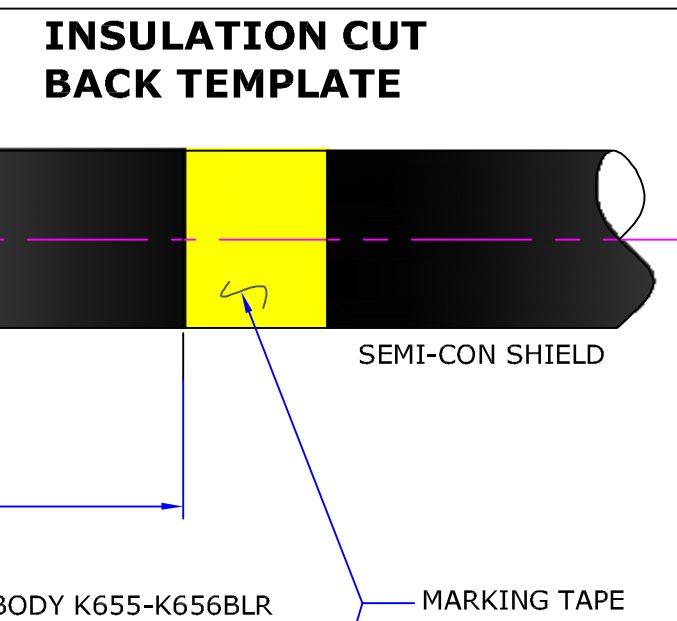
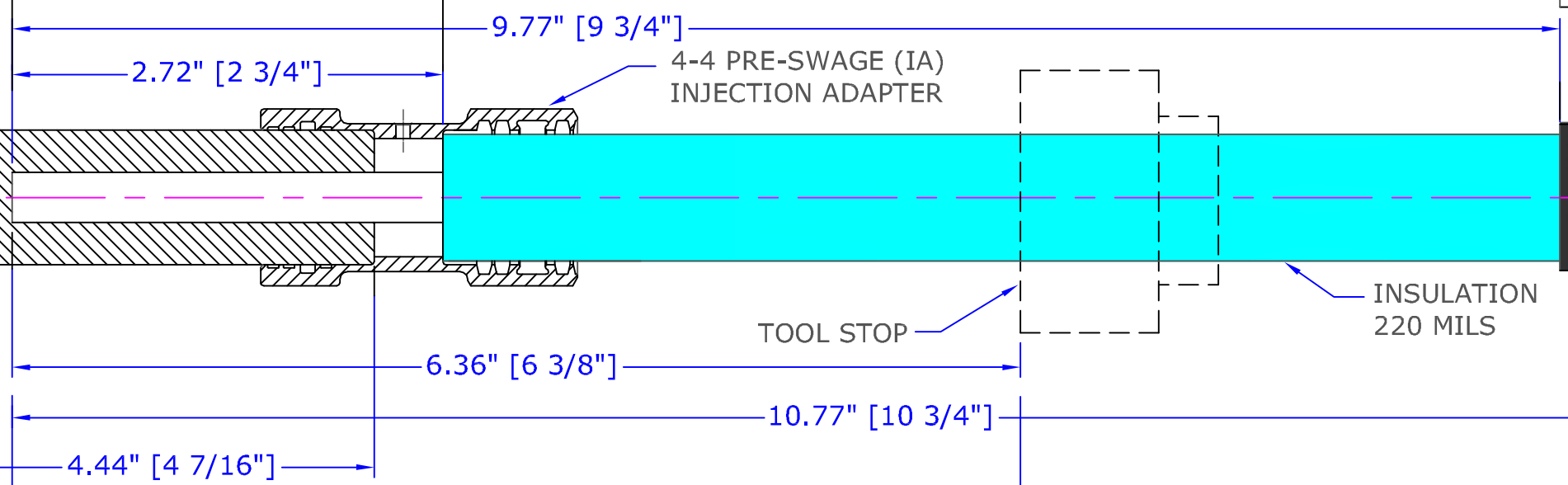


15 KV

ELASTIMOLD

CONNECTOR #2 AWG  
ELASTIMOLD 03700-220



The marking tape must be located from end of strip cable (as shown as pre-swage) to end of cable insulation adapter and should be within 1/4" inch [6mm] after swage.

TOOL STOP CUT  
BACK TEMPLATE

**NOTE: THE INSULATION ADAPTER MUST BE ON THE CABLE BEFORE SWAGING THE CONNECTOR. SEE NRI 31 & NRI 32**

EMD-15 K655-656BLR-F #2 3-4 23mar10

© Copyright 2007, Novinium, Inc. All rights reserved.  
IA is protected by patents and patents pending  
ELASTIMOLD is a registered trademark of Thomas & Betts Corp. novinium is a registered trademark of novinium.  
(Printing Instructions: For best results, print in color, protect w/5mil laminate and trim to size.)



SCALE: 1:1 8.5 x 22 paper size