

TOOL STOP POSITION TEMPLATE

5" TOOL STOP

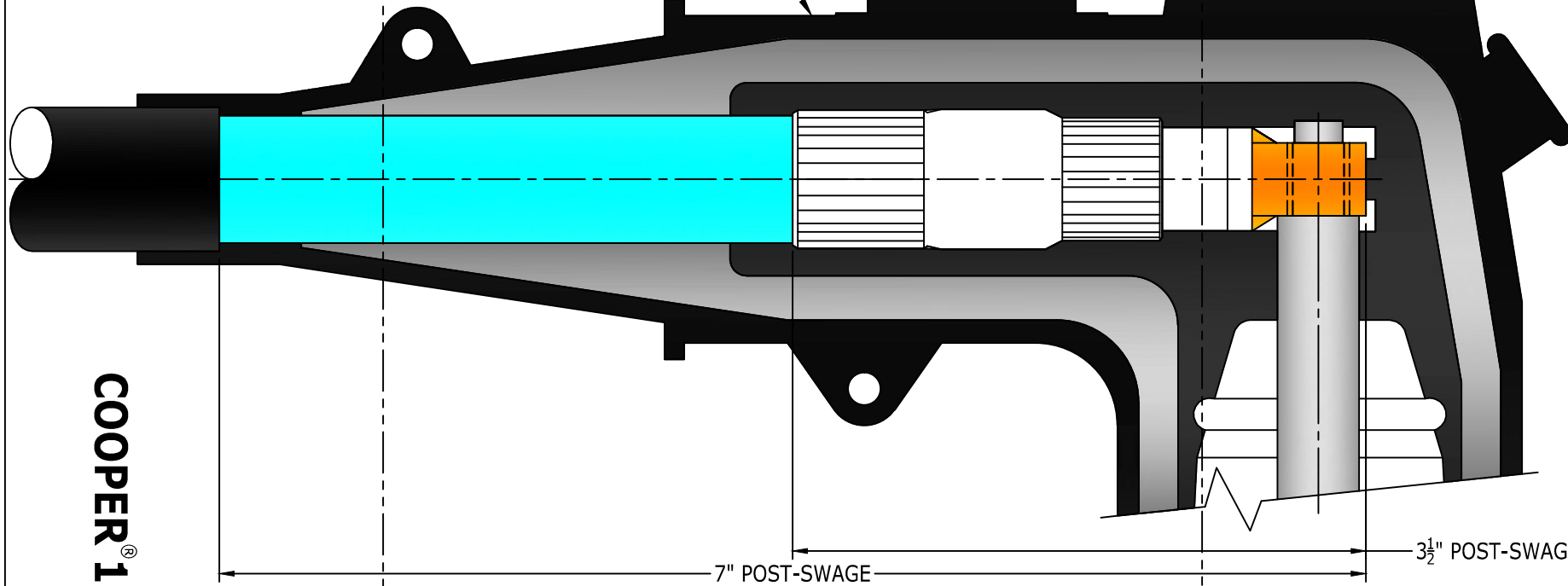
COOPER® LE215AB
COOPER® LE215CC
COOPER® LE215DD

CPR-15 LE215ABorCCorDD 2to4o 1to7-2to4 6sep12

© www.Novinium.com/patents.aspx
IA is protected by patents and patents pending
Cooper is a registered trademark of Cooper Industries, Inc.
Novinium is a registered trademark of Novinium, Inc.
(Printing instructions: For best results, print in color,
protect w/10 MIL laminate and trim to size.)
SCALE: 1:1
8.5 x 11 paper size



novinium
masters of reliability

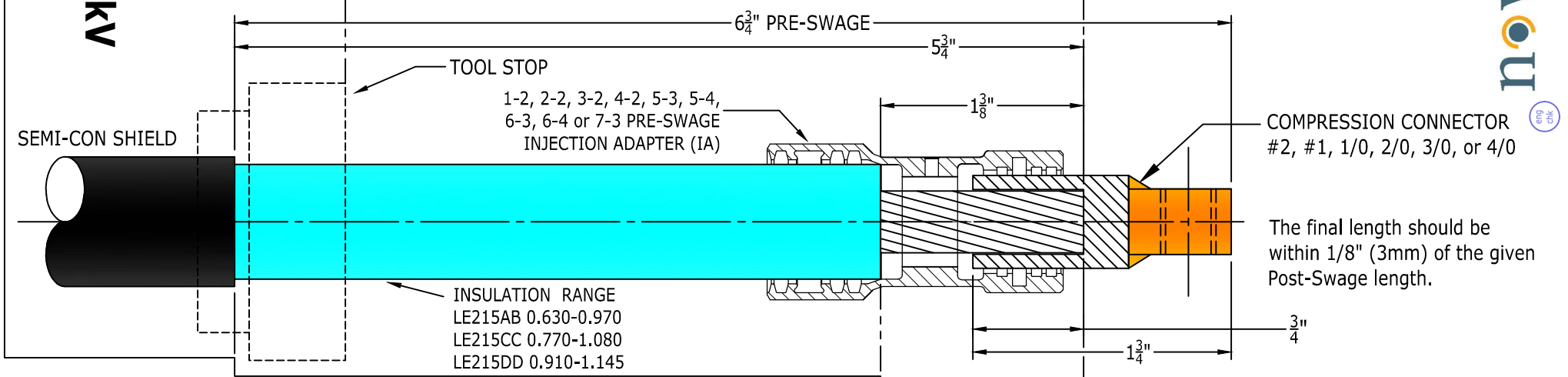


COOPER® 15KV

7" POST-SWAGE

3½" POST-SWAGE

SEMI-CON SHIELD



TOOL STOP

1-2, 2-2, 3-2, 4-2, 5-3, 5-4,
6-3, 6-4 or 7-3 PRE-SWAGE
INJECTION ADAPTER (IA)

INSULATION RANGE
LE215AB 0.630-0.970
LE215CC 0.770-1.080
LE215DD 0.910-1.145

COMPRESSION CONNECTOR
#2, #1, 1/0, 2/0, 3/0, or 4/0

The final length should be
within 1/8" (3mm) of the given
Post-Swage length.

INSULATION CUT BACK TEMPLATE