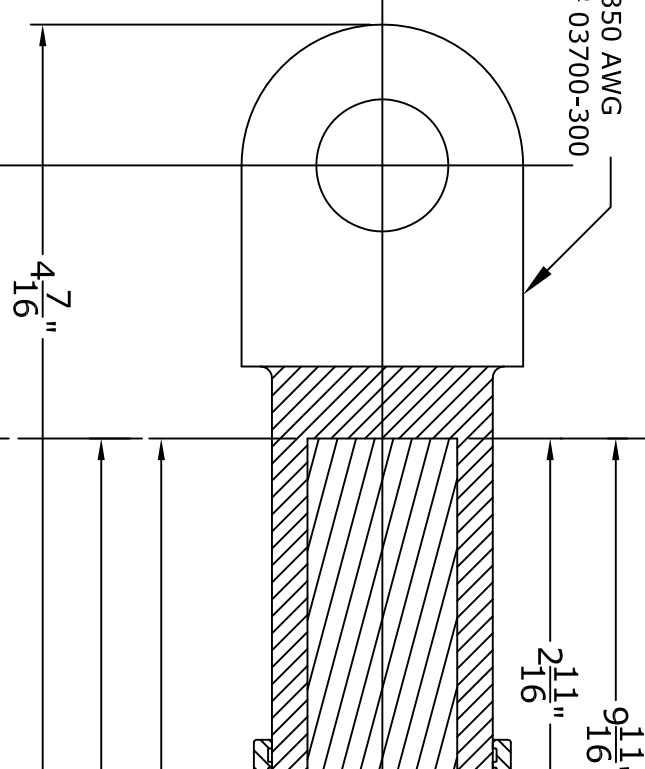


25 kv

# ELASTIMOLD®

CONNECTOR 350 AWG  
ELASTIMOLD® 03700-300



INJECTION ADAPTER (IA)  
10-6 PRE-SWAGE

6 5/16"

TOOL STOP

10 1/3"

INSULATION  
260 MILLS

INSULATION CUT  
BACK TEMPLATE

SEMI-CON SHIELD

ELASTIMOLD® T-BODY K655-K656BLR

MARKING TAPE

SEMI-CON SHIELD

CABLE INSULATION  
ADAPTER 655CA-L

TOOL STOP  
POSITION  
TEMPLATE

**NOTE: THE INSULATION ADAPTER MUST BE ON THE CABLE BEFORE SWAGING THE CONNECTOR. SEE NRI 31 & NRI 32**

The marking tape must be located from end of strip cable (as shown as pre-swaged) to end of cable insulation adapter and should be within 1/4" inch [6mm] after swage.

EMD-25 K655-656BLR-L 350 9-6 31may12

© Copyright 2007, Novinium, Inc. All rights reserved.  
IA is protected by patents and patents pending  
ELASTIMOLD is a registered trademark of Thomas & Betts Corp. novinium is a registered trademark of novinium.  
(Printing instructions: For best results, print in color, protect w/5mil laminate and trim to size.)

SCALE: 1:1

8.5 x 20 paper size

